

MPK50

max 5 T

3010 x 1200 x 1740 mm

max 9.2 m

max 6.1 m

Pure innovation. Totally radio remote-controlled, battery powered, 5 T pick & carry, patented boom rotation system and frontal stabilizer bar make this crane one of a kind.



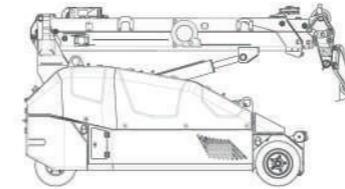
Technical Information

Dimension	3010 x 1200 x 1740 mm		
Crane & Option Weights		Kg	
	MPK50	3450	
	/	1000	
	5T-D8	10	
	JIB1800-700.2M	Module 1800 / 30 Kg Module 700 / 20 Kg Tot. 50 Kg	
MPK50	Battery	2 Batteries 24 V 620 Ah	12 kW 16,1 Hp
Speed		4.0 km/h	
Endeavour		20°	



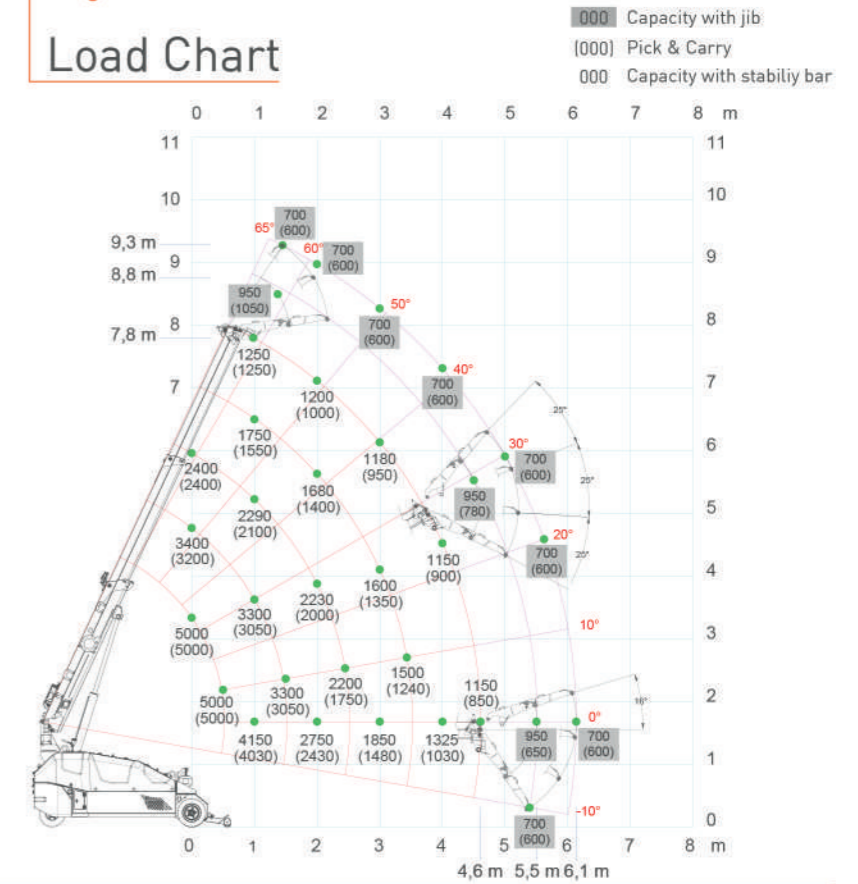
Winch & Fall Stages

Main Winch	1000 kg 60 m - Ø 8 mm 45.1 m/min.
------------	---

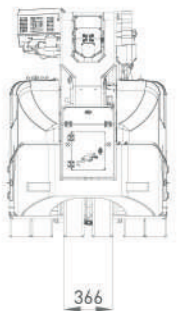
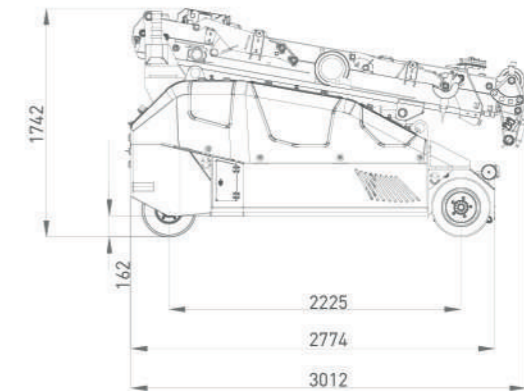
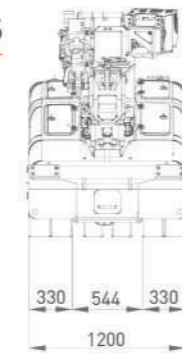


Max. Capacity	Line	Metres
5000 kg	5	-11 m
4000 kg	4	-13 m
3000 kg	3	-18 m
2000 kg	2	-27 m
1000 kg	1	-53 m

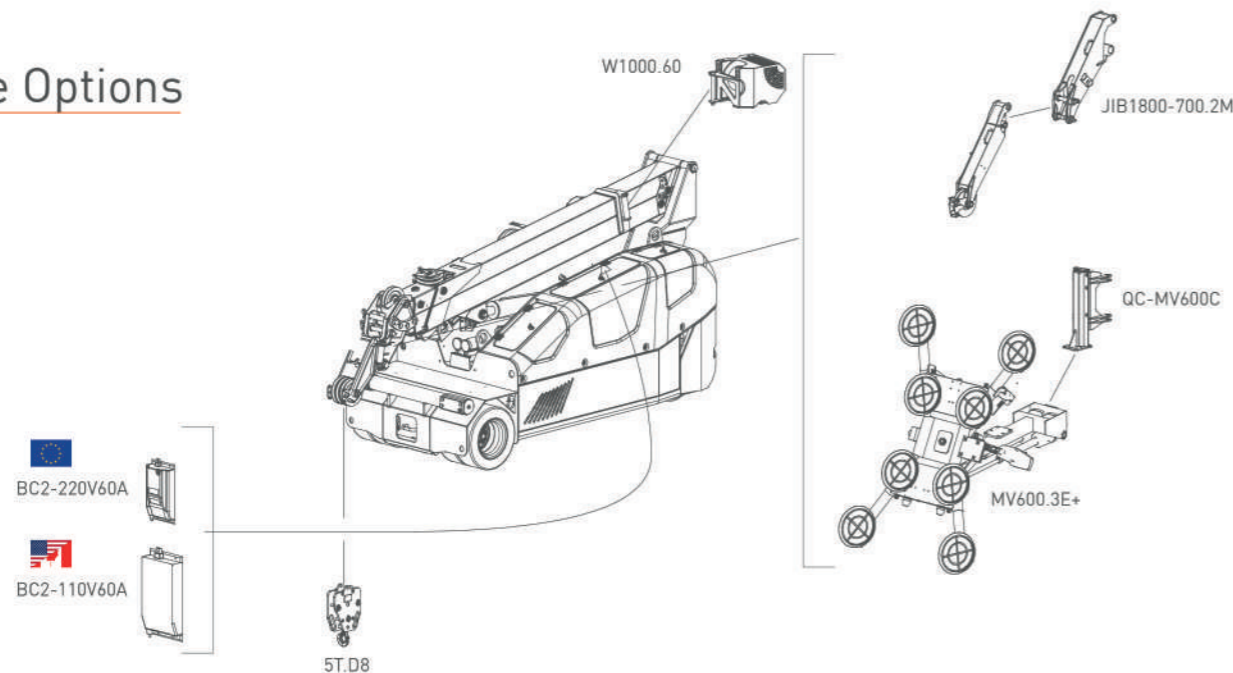
Load Chart



Dimensions



Crane Options



Tools Configurations

JIB1800-700.2M	Short	Long	MV600.3E+
max	1800 kg	700 kg	600 kg
max	1000 kg @ 8.5 m	700 kg @ 9 m	600 kg @ 8 m
max	950 kg @ 5.5 m	700 kg @ 6 m	500 kg @ 6.5 m