

## SAFETY VALVE

Designed to provide an additional element of safety to the tool operator in controlled bolting operations. The **Patent Pending** Hands Free Bolting Safety Valve fits in-line between the hydraulic power pack and hydraulic torque tool. Whilst the trigger is activated the tool remains in a live position, once the trigger is released hydraulic power is automatically cut and the tool operator is free to re-locate the tool without concern of accidental tool activation.

In stock

SKU: C-1-01 84 67 8900 (00)

## DESCRIPTION

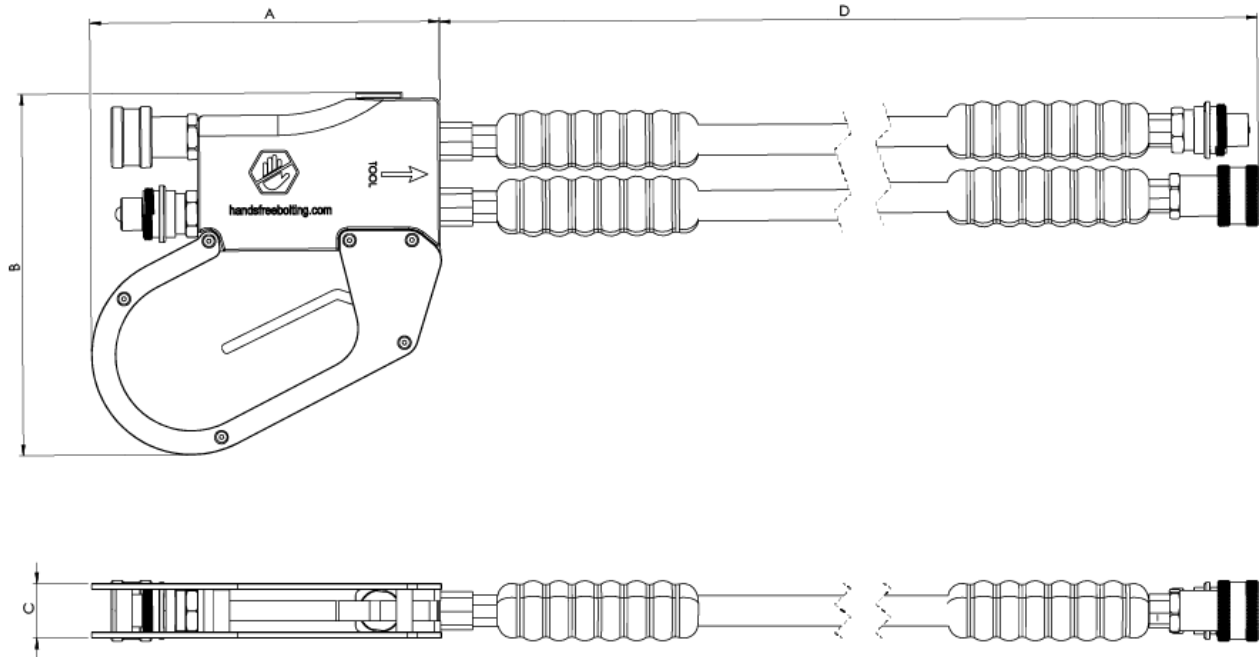
Introducing Hands Free Bolting's revolutionary new Safety Valve.

Designed to provide an additional element of safety to the tool operator in controlled bolting operations. The Patent Pending Hands Free Bolting Safety Valve fits in-line between the hydraulic power pack and hydraulic torque tool. Whilst the trigger is activated the tool remains in a live position, once the trigger is released hydraulic power is automatically cut and the tool operator is free to re-locate the tool without concern of accidental tool activation.

The Safety Valve works with all leading hydraulic power packs and torque tools and is supplied complete with whip hose and screw couplers to connect to your tool.

SKU: C-1-01 84 67 8900 (00)

Dimension



| A (mm) | B (mm) | C (mm) | D (mm) | Weight (Kg) |
|--------|--------|--------|--------|-------------|
| 199    | 170    | 26     | 1000   | 4           |