



HANDS FREE BOLTING

Safe, Simple & Innovative Bolting Accessories

[Home](#) / [Back-Up Nut](#)

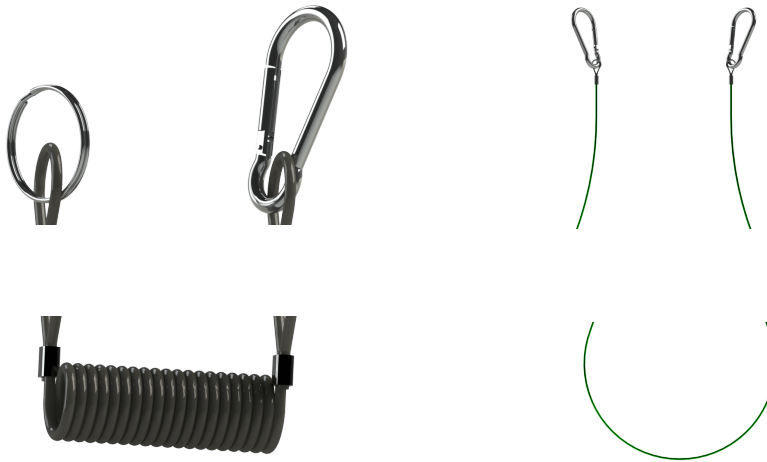




BACK-UP NUT FROM £63.60

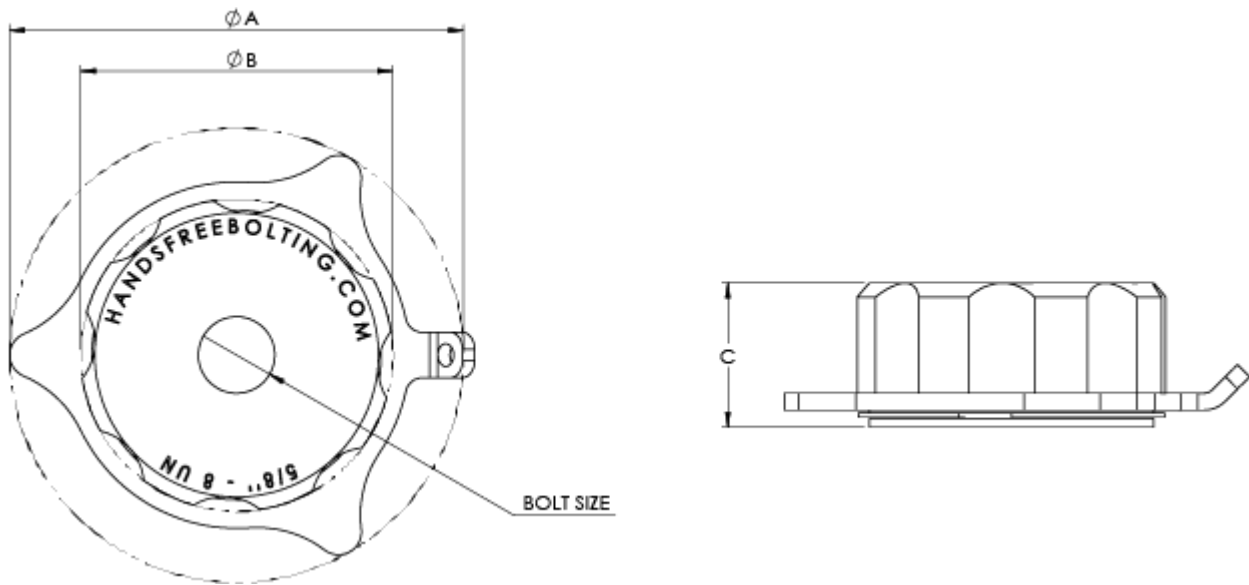
The **Patented** Back-Up Nut is designed to dramatically improve tool operator safety and assist in preventing injuries caused by dropped objects. This simple yet innovative patented design ensures any one of a wide range of bolting tools can be held in place during operation allowing the operator Hands Free Bolting whilst the tool is in use, dramatically reducing the risk of incident.

ADD SAFETY ACCESSORIES



SKU: N/A 11962288

Dimensions



Bolt Size		A (mm)	B (mm)	C (mm)	Weight (Kg)
Imperial	1/2"	80	55	25.4	0.17
	5/8"	80	55	25.4	0.17
	3/4"	80	55	25.4	0.17

Bolt Size	A (mm)	B (mm)	C (mm)	Weight (Kg)	
7/8"	80	55	25.4	0.17	
1"	80	55	25.4	0.17	
1 1/8"	80	55	25.4	0.17	
1 1/4"	80	55	25.4	0.17	
1 3/8"	80	55	25.4	0.17	
1 1/2"	123	84	25.4	0.35	
1 5/8"	123	84	25.4	0.35	
1 3/4"	123	84	25.4	0.35	
1 7/8"	123	84	25.4	0.35	
2"	123	84	25.4	0.35	
2 1/4"	123	84	25.4	0.35	
2 1/2"	200	140	25.4	0.95	
2 3/4"	200	140	25.4	0.95	
Metric	M12	80	55	25.4	0.4
	M16	80	55	25.4	0.17
	M22	80	55	25.4	0.17

Bolt Size	A (mm)	B (mm)	C (mm)	Weight (Kg)
M24	80	55	25.4	0.17
M27	80	55	25.4	0.17
M30	80	55	25.4	0.17
M33	80	55	25.4	0.17
M36	80	55	25.4	0.17
M39	123	84	25.4	0.35
M42	123	84	25.4	0.35
M45	123	84	25.4	0.35
M48	123	84	25.4	0.35
M52	123	84	25.4	0.35
M56	123	84	25.4	0.35
M60	123	84	25.4	0.35
M68	200	140	25.4	0.95
M72	200	140	25.4	0.95
M76	200	140	25.4	0.95